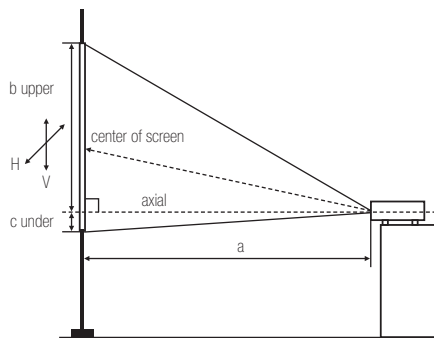
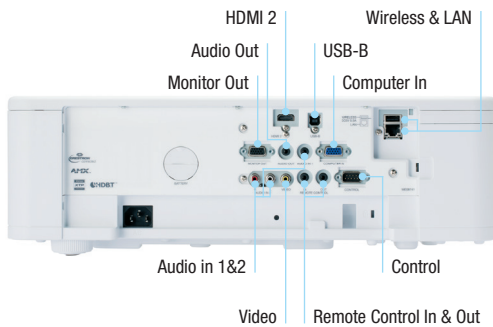


LP-WX3500

HITACHI
Inspire the Next

LED projector, 3500 ANSI lumens, 30,000:1 contrast ratio,
WXGA (1280 x 800) resolution

Technical Specifications



a: Projection distance from centre of lens to the screen.

IMAGE SIZE 16:10 (FROM PROJECTOR'S LENS END)

Screen size (diagonal)	HxV		Projection distance (a)		Screen height (cm)	
	(m)	(m)	Wide (m)	Tele (m)	b upper	c under
30" (0.8 m)	0.6	0.4	0.8	1.5	0	40
50" (x.x m)	1.1	0.7	1.4	2.5	0	67
80" (2.0 m)	1.7	1.1	2.3	4.0	0	108
100" (2.5 m)	2.2	1.3	2.9	5.0	0	135
120" (3.0 m)	2.6	1.6	3.5	6.0	0	162
200" (5.1 m)	4.3	2.7	5.8	10.0	0	269
300" (7.6 m)	6.5	4.0	8.8	15.1	0	404

IMAGE SIZE 16:9 (FROM PROJECTOR'S LENS END)

Screen size (diagonal)	HxV		Projection distance (a)		Screen height (cm)	
	(m)	(m)	Wide (m)	Tele (m)	b upper	c under
30" (0.8 m)	0.7	0.4	0.9	1.5	-2	39
50" (1.3 m)	1.1	0.6	1.5	2.5	-3	66
80" (2.0 m)	1.8	1.0	2.4	4.1	-6	105
100" (2.5 m)	2.2	1.2	3.0	5.1	-7	131
120" (3.0 m)	2.7	1.5	3.6	6.2	-8	158
200" (5.1 m)	4.4	2.5	6.0	10.3	-14	263
300" (7.6 m)	6.6	3.7	9.0	15.5	-21	394

OPTICAL

Display System	1-chip DLP (0.65 inches)
Resolution	WXGA (1280 x 800) 16:10 aspect ratio
Light Output (Brightness) ANSI Lumens	3500 (Normal)
Contrast Ratio	30,000:1
System Life (Hours)	20,000
Lens	Built-in
Lens Zoom	Manual Zoom x 1.7
Lens Focus	Manual Focus
Lens Shift	Manual
Projection Lens F Number	1.58 – 2.06
Focus Distance	0.9m – 9.2m (WIDE) / 1.5m – 15.8m (TELE)
Distance to Width Ratio/ Throw Ratio (:1)	1.4 (Wide), 2.4 (Tele)
Diagonal Display Size	30 – 300 inches

FEATURES

Installation	Front, Ceiling, Rear, Portrait
Speakers	16W Mono
Digital Keystone	Horizontal ± 30 degrees, Vertical ± 30 degrees
Picture Modes	(Standard, Natural, Cinema, Dynamic, Board (Black), Board (Green), Whiteboard, DICOM Sim.)
Picture Adjustments	Equalizing Color temperature Adjustment, Equalizing Digital Gamma Correction, Color management, HDCR
Network Features	AMX Device Discovery, Command Control via the Network, Configuring and Controlling the Projector via a Web Browser, Controlling the Projector via Scheduling, Crestron RoomView® (Not accessible through the wireless adapter), Displaying text data transferred via network, Extron XTP system, Failure and Warning Alerts via E-mail, My Image (still image transfer) Display, Network Bridge, Network Presentation (PC still picture transfer), Frame rate (practical) is under 12fps (640x480 movie), PjLink, Projector Management via SNMP
Security Features	PIN Security Lock, MyScreen Password Lock, Transition Detector, My TextPassword Lock, Key Lock (Key pad, Remote Control)
Supported Languages	English, French, German, Spanish, Italian, Norwegian, Dutch, Japanese, Portuguese, Simplified Chinese, Traditional Chinese, Korean, Swedish, Russian, Finnish, Polish, Turkey, Arabian, Persian, Czech, Danish, Hungarian, Romanian, Slovenian, Croatian, Greek, Lithuanian, Estonian, Latvian, Thai, Portuguese (Brazil), Indonesian, Vietnamese

COMPATIBILITY

Computer	IBM Compatible VGA/SVGA/XGA/WXGA/SXGA+/HD/WUXGA/MAC16"
Video	525i (480i), 525p (480p), 625i (576i), 625p (576p), 750p (720p@50/60), 1125i (1080i@50/60), 1125p (1080p@50/60)

CONNECTIONS

Digital Input	HDMI/MHL x 1 (Supporting HDCP decoding), HDMI x 1 (Supporting HDCP decoding), HDBaseT (RJ-45) x 1
Analogue Input	15 pin Mini D-Sub x 1, RCA Jack x 1
Video Output	15 pin Mini D-Sub x 1, HDMI x 1 (Supporting HDCP decoding)
Audio Input	3.5 mm stereo mini jack x 1, RCA jack(L, R) x 1, HDMI x 2, HDBaseT x 1
Audio Output	3.5mm Stereo Mini Jack x 1
RS-232C Control	1 x 9-pin D-Sub
Wireless LAN	Yes (Optional)
Wired LAN	Yes
USB Type-A	Used for wireless network
USB Type-B	Used for remote control mouse
Wired Remote I/O	3.5mm Stereo mini jack x 1 (input), 3.5mm Stereo mini jack x 1 (output)

POWER

Power Supply	AC 100 – 120V (560W), AC 220 – 240V (550W)
Power Consumption Operating / Standby	550 W / Less than 0.5W

PHYSICAL

Weight	14.6kg
Dimensions (W x H x D)	471 x 148 x 455mm
Operation Noise	27dB (Mid), 34dB (High mode), 21dB (Low mode)

CERTIFICATION

Certification	CE Marking, EN61000-3-2, EN61000-3-3, EN55032(class A), EN55024(EMC directive), EN60950-1 (Low voltage directive), WEEE/RoHS compliant
---------------	--

ACCESSORIES

Supplied Accessories	Power Cable (1.8m), Computer Cable (2.0m), Remote Control, 2 x AA Batteries, Lens Cover, Lens Cap, Adaptor Cover (for USB Wireless Adaptor), Security Label, User's Manual (CD), User's Manual (Book), Application CD, Adaptor cover, Terminal cover A, Terminal cover B, HDMI cable holder (x1), Cable tie - large (x1), Cable tie - medium (x1), Cable tie - small (x3), HDMI Cap (x2), HDBaseT Cap (x1)
Optional Accessories	Wired Remote Control (HL03131), USB Wireless Adaptor (USB-WL-11N)

WARRANTY

Projector / Light Source Warranty	20,000 hours / 5 years (whichever comes first)
-----------------------------------	--



HITACHI DIGITAL MEDIA, Hitachi Europe Ltd, Whitebrook Park, Lower Cookham Road, Maidenhead, Berkshire SL6 8YA UNITED KINGDOM
Tel: +44 (0)1628 585 000 Fax: +44 (0)1628 585 163 www.hitachidigitalmedia.com

The specification above and photography is for reference only and may be subject to change.

* When Saving function is enabled in Standby mode, some features such as Wireless, LAN and control might not work. Please change Standby function to Normal to enable the projector features when projector is in Standby.