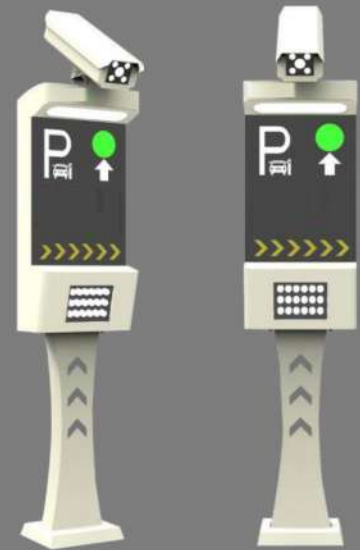


CLPR-2025

License Plate Recognition Camera Signage



CLPR-2025 adopts a set of independent research and development of top-class license plate recognition algorithm, and combining with years of experience in industry application. No need to stop, and no need to swipe card. Quick access to the parking lot of the automatic license plate recognition mode, provides users with more intelligent, more convenient, more perfect experience.

CLPR-2025 integrated with license plate recognition camera, LED display, voice broadcast, fill light, fixed base and other integrated structure, and has a simple and elegant appearance and multi-functional design. It is convenient for the installation of the engineering business and get rid of the large ticket box, which is widely used in parking lot management.

Features



Industry-leading LPR Algorithm

- Dr. team for algorithm development
- License plate recognition accuracy is over 99.7%
- License plate recognition speed is less than 200 ms



Automatic License Plate Recognition Mode

- No need to stop and swipe card
- Quick access to the parking lot
- More intelligent, more convenient, perfect user experience



Parking Management Software

- Customizable diversity of parking charging rules
- Can export various financial statements



Localized Display and Voice

- Real-time display of license plate number, time record, remaining empty parking spaces, parking fee and other information
- Localized voice broadcast



Easy Installation and Connectivity

- Camera, LED display, voice broadcast, fill light , fixed base as integrated design



Applicable to Outdoor

- Camera: IP65
- Integrated machine: IP54

Spacification

Model	CLPR-2025
Recognition Rate	Day≥98% ; Night≥95%
Recognition Distance	2-10Meters (Recommend Best Distance is 3.5-4m)
Recognition Time	≤200ms (Average)
Communication	TCP/IP
Interface	2 Relay, 2 Aux. Input, Audio Input And Output, 2 485 Output, Reset, Wiegand Out
Camera Lens	2MP, Auto Focus, Best Snap Range: 3.5-4Meters
Minimum Illumination	0.1Lux (Standard)
Standard Function	Automatic License Plate Recognition, Real-Time Display Information, Voice Broadcast , Customizable Charging Rules, Export Various Financial Statements, Blacklist And Whitelist Function, Fill Light ,Automatic Control Parking Barrier
Support Speed	≤20 km/h
Support Country	Argentina, Mexico, Chile, Peru, Colombia, Thailand, Indonesia, Vietnam, Uzbekistan, India, Saudi Arabia, South Africa, Brazil, Mongolia, China, Pakistan
Relative Humidity	10%-90%
Power Consumption	80W
Power Supply	220V AC 50Hz
Operating Temperature	-20°C - +55°C

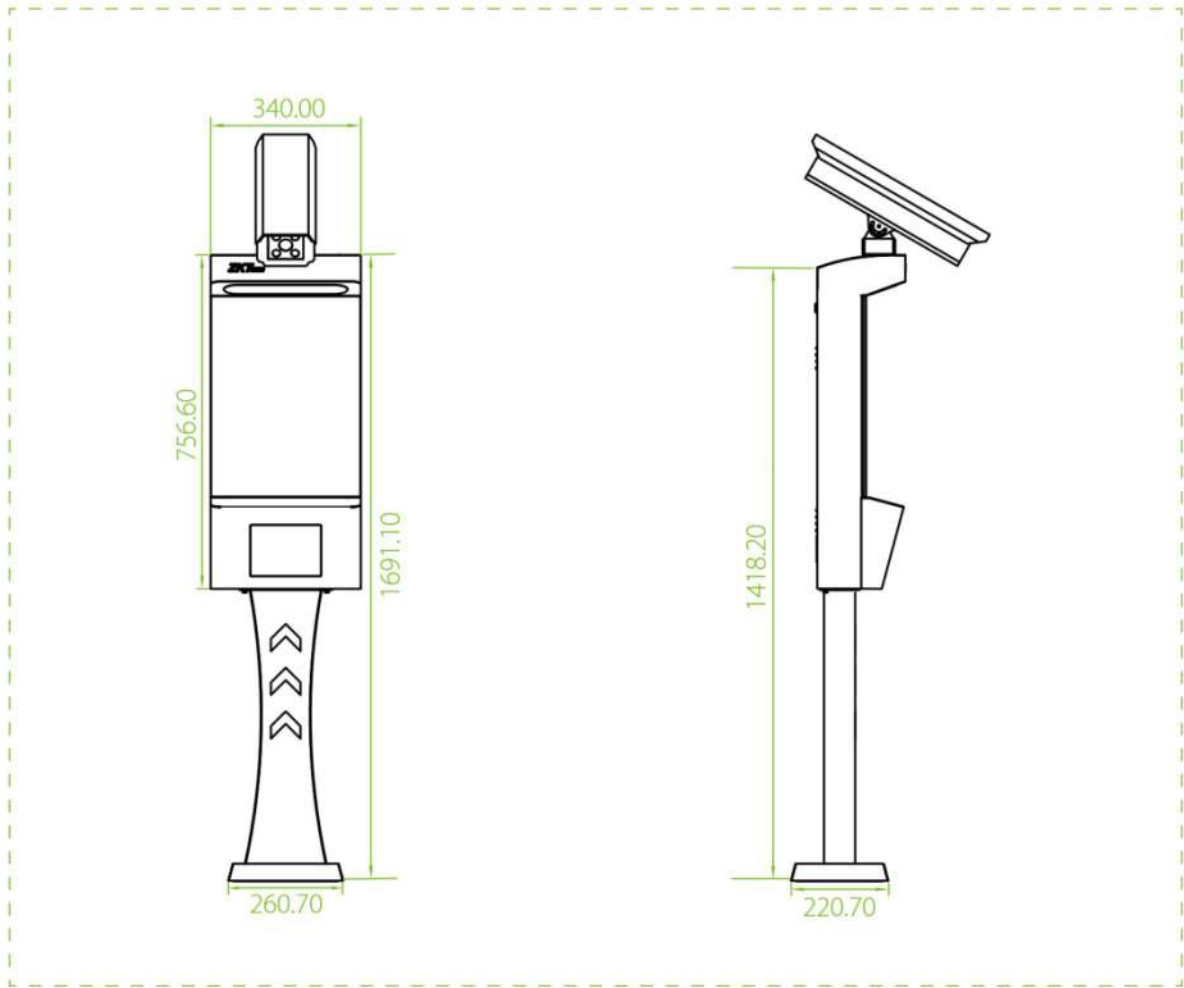
Weight

30Kg

Package Dimension(LxWxH)

340x220x1600 mm

Dimensions (mm)



Authorized Distributor and Service Center

Nedo Pakistan

Karachi ! Lahore ! Islamabad

www.nedogroup.com

UAN: 021-111-633-675